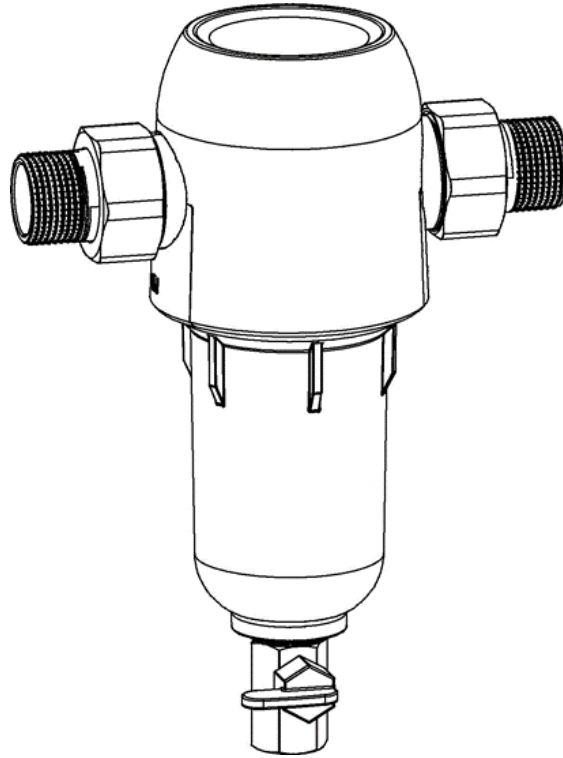


## Pre-Filter WATEX CPFE4

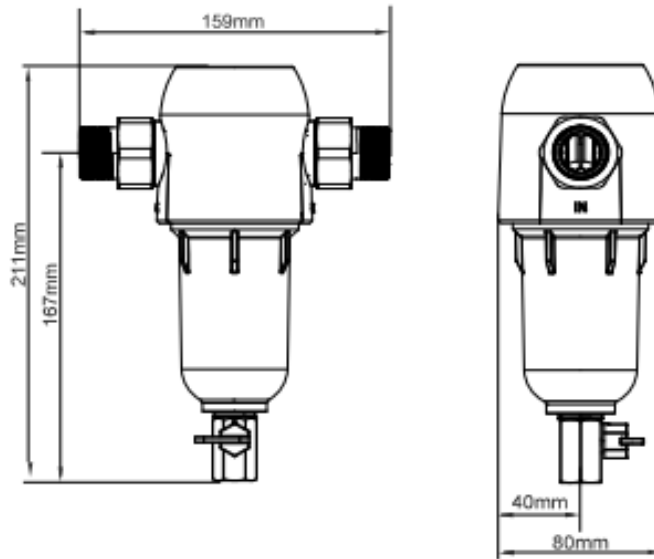


- You must read and understand the contents of this manual before installing or operating your Pre-Filter.
- The pre-filter is designed to remove the particles of impurities, dirt, rust and sediments etc. Protect the downstream equipment such as water filter, water heater, wall-hanging stove, washing machine, shower head etc.
- We guarantee that the pre-filter you receive is complete and reliable, without a qualified installer, do not install, start up or maintain the product personally. The company is not responsible for the product damage, personal injury or property loss as a result of incorrect operation.
- This product is only allowed to be installed in a dry and indoor place, keep it away from heat and children.
- This product is only designed for municipal water supply(5~40°C), do not use it on drain line or corrosive liquid.
- When installing, make sure to observe the correct direction of flow. An arrow on the flange body indicates the direction of flow.
- Pre-filter should be installed directly behind the water metering device and be readily accessible.
- According to different water quality, it is requested to flush the filter every month at the latest.
- Do not damage any part during the process of maintenance.

## Specification

Product Model	WATEX CPE4
Filter Mesh	40 $\mu$ m
Connection Thread	3/4" or 1"
Rated Flow Rate	4 m <sup>3</sup> /h
Ambient Temperature	5~40 °C
Water Supply	Municipal
Suggested Operating Pressure	0.1~0.4 MPa

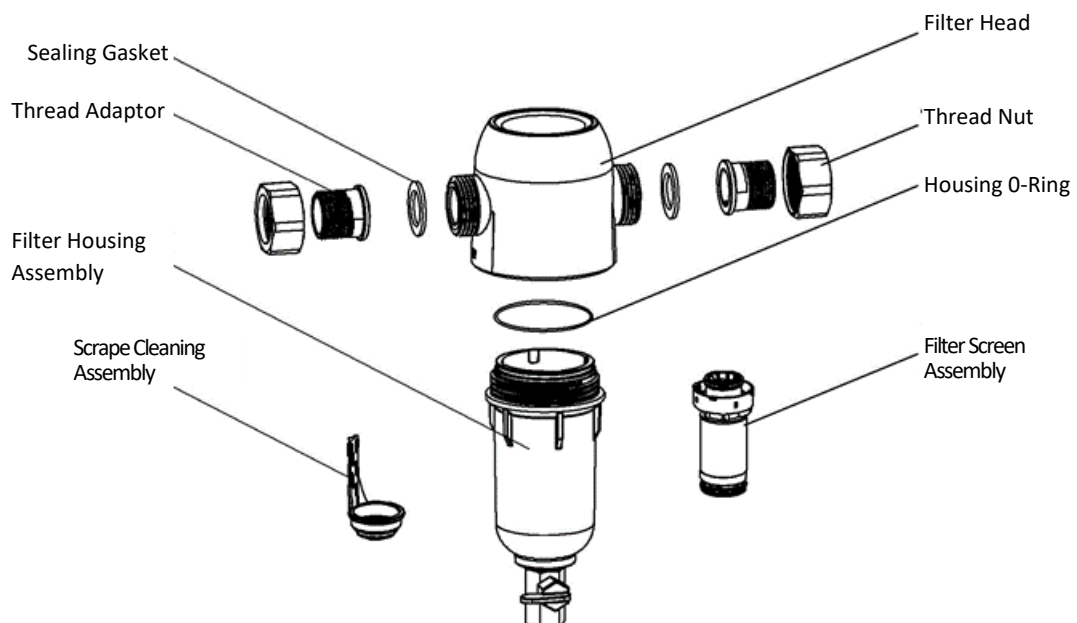
## Product Dimension



## Package Contents

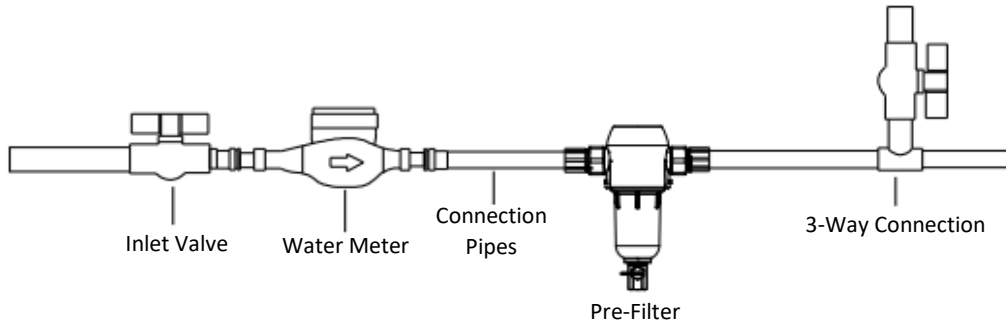
- Pre-Filter Assembly x 1
- Manual x1
- Thread Adaptor x2
- Sealing Gasket x3
- Filter Housing Wrench x1
- 3/8" Tubing x80cm
- Housing O-Ring x1

## Exploded View



## Installation

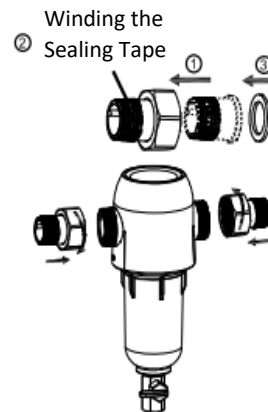
1



- Close the inlet valve, release the pressure in pipes.
- Install the pre-filter as the figure indicated above.
- When installing, make sure to observe the correct direction of flow. An arrow on the brass head indicates the direction of flow.
- Install the filter with main axis in vertical position.

2

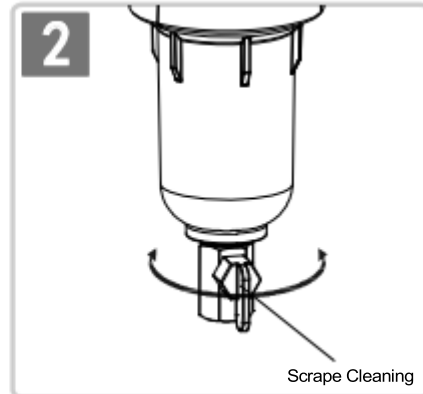
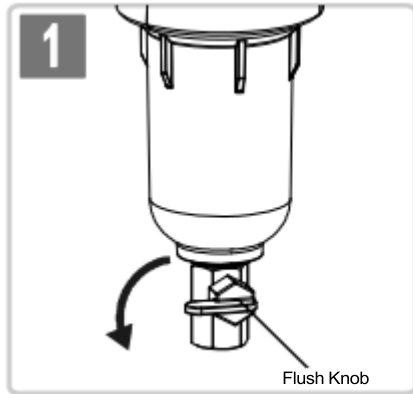
- Pre-filter must be installed by a qualified person. Check to ensure the accessories are complete before installation.
- Special welding machine is required if the PPR pipe line are used for plumbing, ensure the pipes are welding securely.
- Extra pipe lines are required if metal pipe line are used for plumbing, please follow the local plumbing codes.
- Do not install the pre-filter outdoors, which are exposed to UV radiation(sunlight), heat, oil or various chemicals.
- Use enough thread tape and make sure it is winding evenly.
- Make sure the other parts are not rotating when you tighten the thread nut.
- After the plumbing work is done, check it thoroughly to make sure if there is any leakage.



## Start Up and Service

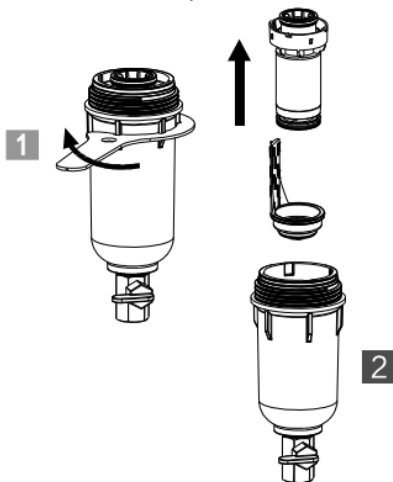
1. It is required to flush the pre-filter after installation.
2. Before flushing the pre-filter, ensure the drain pipe is connected to drain or it is fine to get one suitable container to gather the drain water.
3. Rotate the bottom part clockwise for 3 to 4 circles to discharge the large particles off outfall. Then rotate the bottom part anti-clockwise for 3 to 4 circles to effectively clean the filter screen and filter housing.
4. According to different water quality, it is required to flush the pre-filter once per month at least and flush pre-filter for more than 30 seconds.
5. As the pre-filter is continuously used for 8~12 months, the filter screen may require to be dismantled and clean. (This should be done by a qualified person)

6. Every component should be taken care of during cleaning or maintaining process.  
(Original spare parts must be used for maintenance)

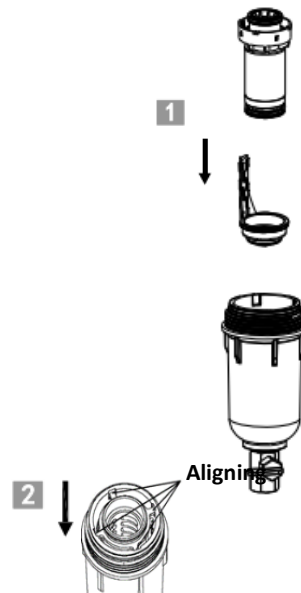


### Maintenance

- It is suggested to dismantle and clean the filter screen assembly if the contamination can not be removed by the process of normal scape or flush cleaning.
- Use the wrench attached in carton box to screw off the filter housing.
- Take out the filter screen assembly, clean the contamination on filter screen. (Scrape cleaning assembly is not required to take out if just filter screen assembly need to be cleaned)



- Aligning the scrape cleaning assembly, make sure to insert the scraping assembly to the bottom of copper fitting.
- Aligning the four location holders on filter screen assembly to the four grooves on filter housing, then make sure to insert the filter screen assembly to the bottom of filter housing.



## Troubleshooting

<b>Problem</b>	<b>Possible Causes</b>	<b>Possible Solution</b>
No Product Water	<ol style="list-style-type: none"><li>1. Water supply is shut off.</li><li>2. Inlet valve is not open.</li></ol>	<ol style="list-style-type: none"><li>1. Wait water supply restore.</li><li>2. Open the inlet valve.</li></ol>
Not Enough Product Water	<ol style="list-style-type: none"><li>1. Inlet valve is not fully open.</li><li>2. Filter screen is clogged.</li></ol>	<ol style="list-style-type: none"><li>1. Open the inlet valve completely.</li><li>2. Flush and clean the filter screen assembly, remove the debris.</li></ol>
Leaks on Connection	<ol style="list-style-type: none"><li>1. Connection is not installed well.</li><li>2. Connection is not tightened.</li><li>3. Not winding enough thread tape.</li><li>4. Sealing gasket is aging and damaged.</li></ol>	<ol style="list-style-type: none"><li>1. Check and make sure the sealing gasket is flat and not be squeezed.</li><li>2. Use the wrench to tight it.</li><li>3. Use enough thread tape and make sure it is winding evenly.</li><li>4. Replace the sealing gasket.</li></ol>